



**FLAT HEAD STYLE**



**HEX HEAD STYLE**



## LedgerLOK<sup>®</sup> LEDGER BOARD FASTENERS

### FEATURES

- No predrilling
- Replaces traditional 1/2" lag screws
- #1 structural wood screw engineered for ledgers
- Hex washer head style on LedgerLOK
- TORX<sup>®</sup> ttap<sup>®</sup> Drive System on LL Flat Head style
- Guaranteed corrosion resistance. ACQ approved
- IBC/IRC code compliant. ICC-ES ESR-1078
- Free bit in every package

**LENGTHS:** 3 5/8", 5"

### PACKAGING QUANTITIES

12 pc clamshell, 50 pc box, 250 pc bucket



### DESCRIPTION

LedgerLOKs are the first wood screws engineered to fasten a deck ledger board to the rim joist of a house with no predrilling. The hex-head version allows for greater bit engagement, reducing cam-out. The Flat Head style, with TORX<sup>®</sup> ttap<sup>®</sup> drive system, provides flush to ledger installation saving additional time and money.

### MEET CODE. LOWER COST.

LedgerLOKs are used by professional contractors nationwide to meet code and lower costs for making deck ledger connections.

**Meet Code:** Tested and proven to meet the most recent IRC/IBC requirements for deck ledger to rim joist connection.

**Lower Cost:** Requires no predrilling, saving time and labor.



### INSTALLATION PROCEDURE

LedgerLOKs should be installed using a high torque 1/2" variable speed drill (18V if cordless) or impact driver. Choose the proper length so that threads fully engage the main member (i.e., rim joist). Bring washer flush to side member with hex head style—do not countersink. Bring head flush with ledger using the flat head style. **Not for use in masonry or concrete.**

For detailed installation instructions, including fastening requirements, please refer to our **Deck Ledger to Rim Joist technical bulletin**. These instructions are included in all box and bucket packaging as well as being available for download from our website. When using in non-ledger applications, a design professional should be consulted for all critical connections, which include the number and location of all fasteners to meet national and local code requirements.

### GUARANTEED CORROSION RESISTANCE

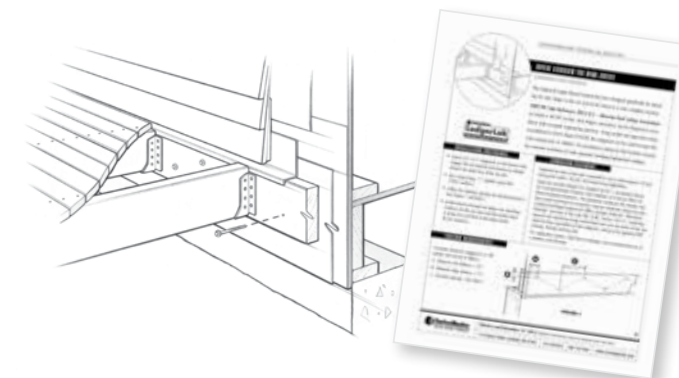
LedgerLOKs are guaranteed not to rust or corrode for the life of the project. The fasteners have also been tested and approved for use in ACQ including contact treatment levels. LedgerLOKs are not recommended for saltwater applications.



LedgerLOK SKU Selection Guide

LENGTH	PACKAGING QTY	HEX STYLE SKU	FLATHEAD SKU
3 5/8"	12 pc clamshell	FMLL358-12	FMLLF358-12
	50 pc box	FMLL358-50	FMLLF358-50
	250 pc bucket	FMLL358B-250	FMLLF358B-250
5"	12 pc clamshell	FMLL005-12	FMLLF005-12
	50 pc box	FMLL005-50	FMLLF005-50
	250 pc bucket	FMLL005B-250	FMLLF005B-250

### ADDITIONAL RESOURCES



#### FastenMaster Technical Bulletins

Our Deck Ledger to Rim Joist technical bulletin, which includes detailed installation instructions, fastening requirements and design loads, is available for download from our website.

*For additional technical data, refer to page 48 of this catalog*



**ask the FastenMaster**  
Ask the FastenMaster Installation Video  
Our Ask the FastenMaster video series includes installation information for many of our products, including our LedgerLOK Deck Ledger to Rim Board Connection video. This can be viewed on our website.

For technical support or to place an order: 800-518-3569 or [www.FastenMaster.com](http://www.FastenMaster.com)

## REFERENCE CHARTS

The following tables are taken from ICC-ES ESR-1078 Evaluation Report. These can be used for reference when designing connections other than those described in the preceding pages. Please refer to the full report for additional information including conditions of use and minimum edge and end distances. This can be found at [www.FastenMaster.com](http://www.FastenMaster.com) or [www.icc-es.org](http://www.icc-es.org).

Table 1 Reference Withdrawal Design Values (W) <sup>1,2,3</sup>							
[Reference withdrawal design values (W) are in pounds per inch of thread penetration into side grain of main member]							
Fastener	Thread Length, L <sup>4</sup> (inches)	W (lbf./in.) for Specific Gravities of:					
		0.57	0.55	0.50	0.46	0.43	0.42
OlyLog/TimberLOK	1.25 or 2.0	270	260	220	200	180	170
HeadLOK	2.0	290	270	230	200	180	170
LedgerLOK/LogHog	2.0 or 3.0	330	310	270	240	220	210
TrussLOK	1 1/2	—	—	180	—	—	—
ThruLOK <sup>(6)</sup>	NA	1140	1060	900	780	700	680

For SI: 1 inch = 25.4 mm, 1 lbf/in = 175 N/m.

<sup>1</sup>Tabulated reference withdrawal design values, W, apply to fasteners driven into the side grain of the main member, such that the screws are oriented perpendicular to the grain and loaded in direct withdrawal.

<sup>2</sup>Reference withdrawal design values must be multiplied by all applicable adjustment factors, in accordance with Section 4.1.

<sup>3</sup>Reference withdrawal design values are to be multiplied by the length of thread penetration into the main member, but must not exceed the head pull-through design values given in Table 2. Threaded length includes the tapered tip.

<sup>4</sup>See Tables 1A through 1F for thread lengths corresponding to specific fastener model numbers.

<sup>5</sup>The ThruLOK must be used with the ThruLOK washer and nut (supplied with the fastener). The nut must be installed such that it is snug against the main member, and at least 1/2" of the threaded portion of the shank (not including the tip) is within the nut.

<sup>6</sup>Tabulated withdrawal values for the ThruLOK are based on the head pull-through design values given in Table 2, as these values will govern designs in which the screw is subject to axial tension, where the ThruLOK is properly installed with the ThruLOK washer and nut (see footnote 5 above).

Table 2 Reference Head Pull-Through Design Values (P) <sup>1,2</sup>							
Fastener	Minimum Side Member Thickness (inches)	P (lbf) for Specific Gravities of:					
		0.57	0.55	0.50	0.46	0.43	0.42
OlyLog/TimberLOK	1.5	220	200	160	130	110	110
HeadLOK	1.5	630	600	520	460	410	400
LedgerLOK/LogHog	1.5	320	290	240	200	180	170
TrussLOK	1.5	—	—	260	—	—	—
ThruLOK <sup>(3)</sup>	1.5	1140	1060	900	780	700	680

For SI: 1 inch = 25.4 mm, 1 pound = 4.448 kPa.

<sup>1</sup>Reference head pull-through design values, P, must be multiplied by all applicable adjustment factors, in accordance with Section 4.1

<sup>2</sup>Design values apply to connections with minimum side member thicknesses, t, as given above

<sup>3</sup>The ThruLOK must be used with the ThruLOK washer and nut (supplied with the fastener). The nut must be installed such that it is snug against the main member, and at least 1/2" of the threaded portion of the shank (not including the tip) is within the nut

Table 3 Reference Lateral Design Values (Z) for Single Shear (Two Member) Wood-to-Wood Connections Loaded Parallel (Z <sub>  </sub> ) or Perpendicular (Z <sub>⊥</sub> ) to the Grain <sup>1,2</sup>									
Fastener		Minimum Side Member Thickness <sup>3</sup> , t <sub>s</sub> (inches)	Minimum Main Member Penetration <sup>4</sup> , p (inches)	Z (lbf) for Minimum Specific Gravities of:					
				0.50		0.46		0.42	
Designation	Length (inches)			Z <sub>  </sub>	Z <sub>⊥</sub>	Z <sub>  </sub>	Z <sub>⊥</sub>	Z <sub>  </sub>	Z <sub>⊥</sub>
OlyLog/TimberLOK	2 1/2	1 1/2	1	240	220	220	200	200	180
	4 & longer	1 1/2	2 1/2	280	260	260	230	240	210
	6 & longer	2 1/2	3 1/2	290	270	270	250	250	230
	8 & longer	3	5	290	270	260	250	240	230
HeadLOK	2 7/8	1 1/2	1 3/8	240	210	220	180	210	150
	4 1/2	1 1/2	3	280	260	260	240	250	220
	6 & longer	1 1/2	4 1/2	290	270	270	250	250	230
	6 & longer	2 1/2	3 1/2	300	280	280	260	270	240
	8 & longer	3	5	290	280	280	260	260	230
LedgerLOK	3 5/8	1 1/2	1 1/2	—	260	—	220	—	220
	3 5/8	1 1/2	2 1/8	310	310	290	280	270	250
	5	1 1/2	3 1/2	320	300	300	280	280	260
LogHog	9 & longer	6	3	310	300	290	280	270	260
TrussLOK	3 3/8	1 3/4	1 5/8	320	290	300	270	280	260
	5	1 3/4	3 1/4	330	300	310	270	290	250
	6 3/4	1 3/4	5	330	310	310	290	290	270
Fastener		Minimum Side Member Thickness <sup>3</sup> , t <sub>s</sub> (inches)	Minimum Main Member Penetration <sup>4</sup> , p (inches)	Z (lbf) for Minimum Specific Gravities of:					
				0.5		0.46		0.42	
Designation	Length (inches)			Z <sub>  </sub>	Z <sub>⊥</sub>	Z <sub>  </sub>	Z <sub>⊥</sub>	Z <sub>  </sub>	Z <sub>⊥</sub>
ThruLOK <sup>(5)</sup>	6 1/4	1 1/2	3 1/4   4 1/4	350	320	320	300	300	270
	7	1 1/2	4   5	350	330	320	300	300	270
	8	1 1/2	3 1/2   4 1/2	350	330	320	300	300	270

For SI: 1 inch = 25.4 mm, 1 pound = 4.448kPa.

<sup>1</sup>Tabulated reference lateral design values, Z, apply to single shear (two-member) connections with wood main and side members having specific gravity as shown, in which the screw is oriented perpendicular to the grain and loaded laterally either parallel or perpendicular to the grain. For connections in which the main and side members have different specific gravities, use the lower of the two. Gaps are not permitted between the main and side members.

<sup>2</sup>Values must be multiplied by all applicable adjustment factors, in accordance with Section 4.1.

<sup>3</sup>Side members with thicknesses greater than the tabulated minimum side member thickness may be used, provided the corresponding tabulated minimum main member penetration is still achieved for the given screw length.

<sup>4</sup>Minimum main member penetration is the minimum length of the screw (including threaded, unthreaded and tip length) that must be embedded within the main member.

<sup>5</sup>The ThruLOK must be installed with the washer and nut, and must penetrate through the opposite face of the main member a sufficient distance to allow the nut to be tightened snugly against the main member, with at least 1/2", and no more than 1 1/2" of the ThruLOK screw engaged within the nut.

For technical support or to place an order: 800-518-3569 or [www.FastenMaster.com](http://www.FastenMaster.com)