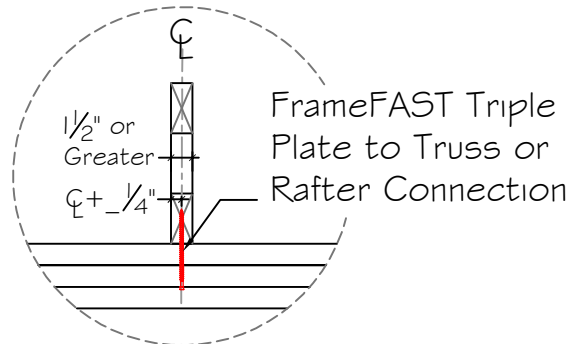


Plate Section



Truss Section

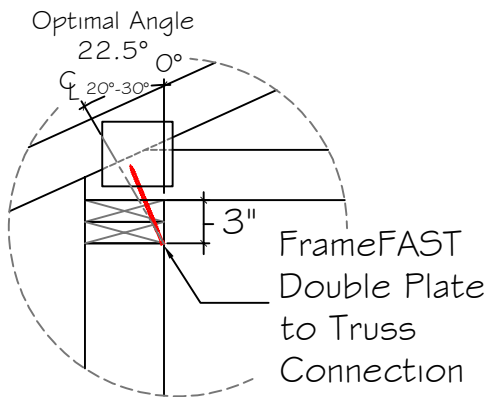
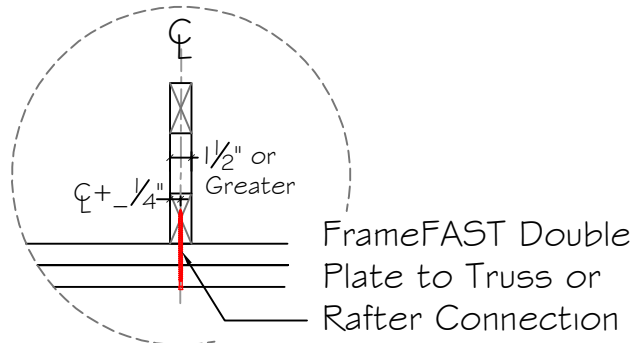


Plate Section



Truss Section

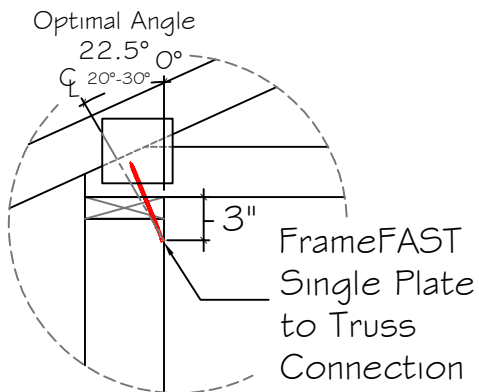
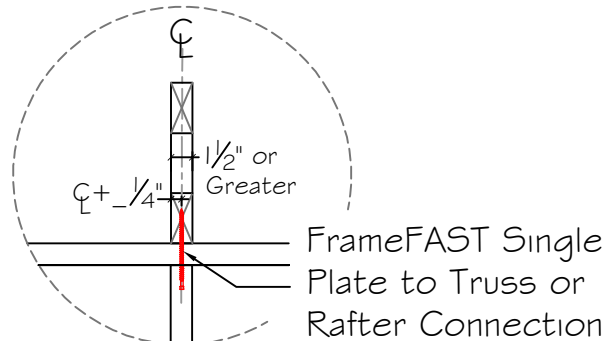


Plate Section



Truss Section

No. 1 - FrameFAST Truss/Rafter to Plate Connection Details

Job No. 0000	No. 1	Sheet	Drawn By: SHK	Date: 09/09/2023
			Scale: AS NOTED	



FastenMaster Framing Details

Rev. No.	Revision Description	Date
0	First Release	0000/0000